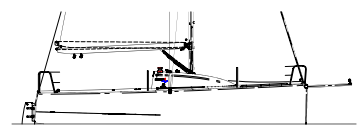
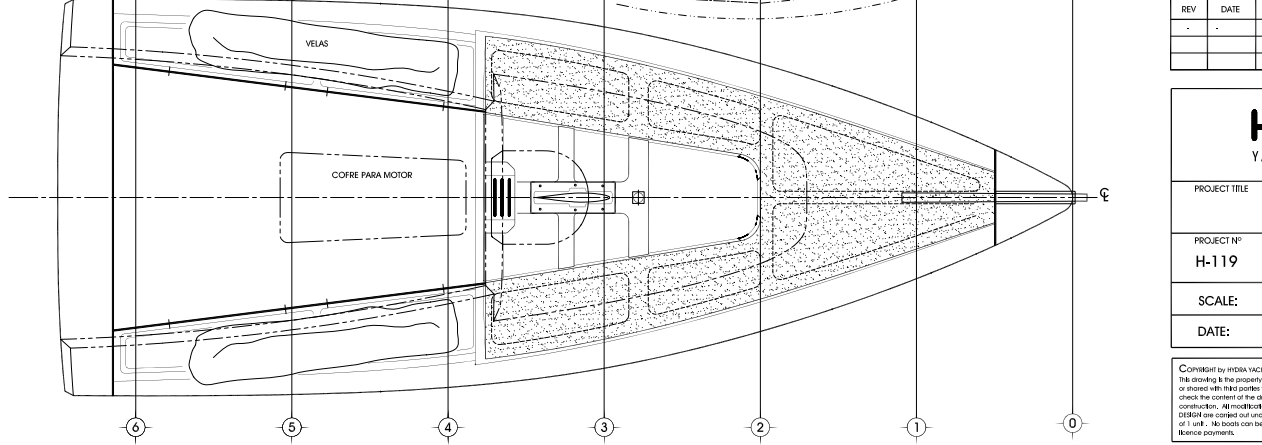
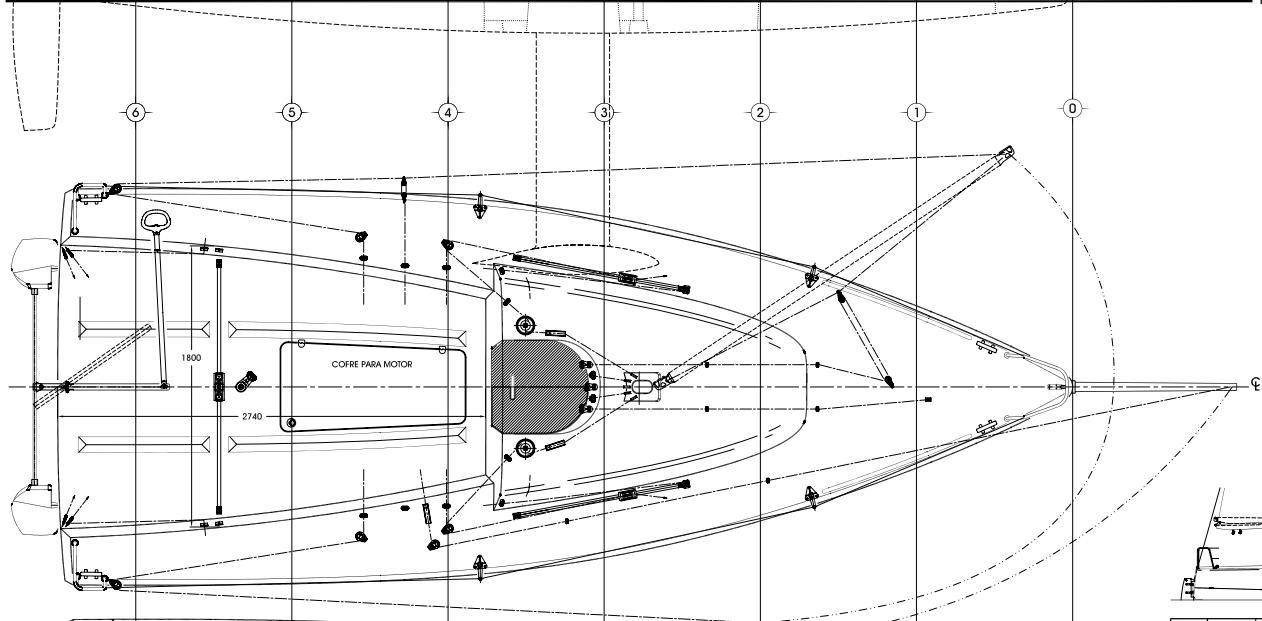
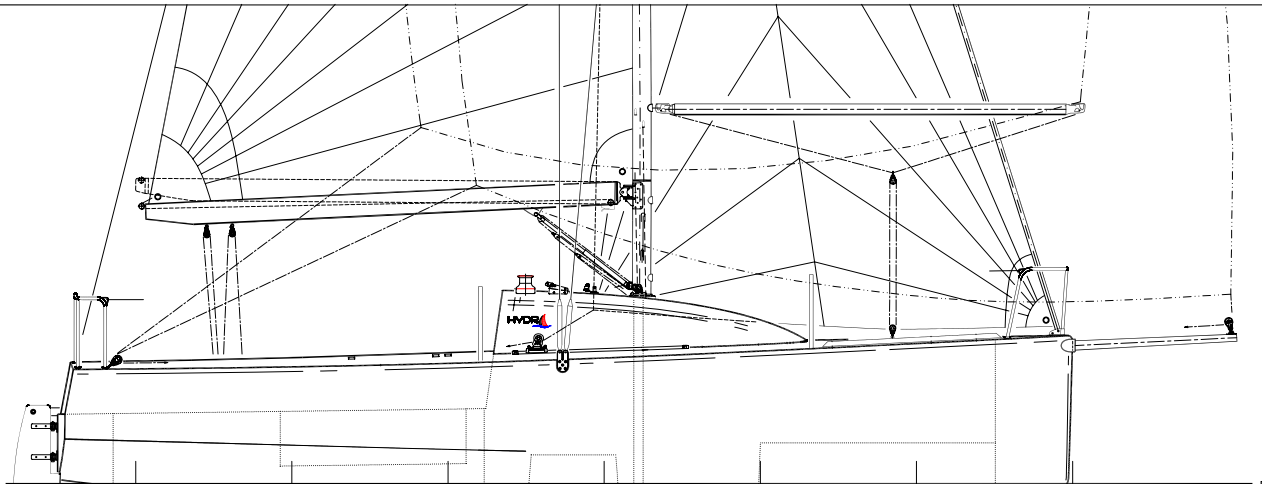



CARACTERISTICAS GENERALES

| | | |
|-----------------------|-------|----------------|
| LOA: | 6,50 | m |
| LWL: | 6,22 | m |
| Birrac: | 2,55 | m |
| Desplazamiento: | 1.000 | Kg (lightship) |
| Calado: | 1,750 | m |
| Loche: | 385 | Kg (Lead) |
| Plano Velico Cefkada: | 31,00 | m ² |
| Moyat: | 17,5 | m ² |
| Gennaker: | 13,5 | m ² |
| Sprinsaker: | 45,00 | m ² |
| Gennaker: | 55,00 | m ² |
| P: | 3,200 | m |
| E: | 3,090 | m |
| I: | 9,245 | m |
| J: | 2,610 | m |
| SPt: | 2,750 | m |
| Potencia motor: | 5 | Hp |



| REV | DATE | MODIFICATIONS |
|-----|------|---------------|
| - | - | - |
| - | - | - |



HYDR
YACHT DESIGN

| | | | |
|---------------|-------|--------------|---------------------|
| PROJECT TITLE | | MONOTIPO 650 | |
| PROJECT Nº | H-119 | DRAWING | DISPOSICION GENERAL |
| SCALE: | | DWG Nº: | H-119-001 |
| DATE: | | REVISION: | A |

COPYRIGHT by HYDR YACHT DESIGN
This drawing is the property of HYDR YACHT DESIGN. It should not be reproduced or used for any construction or altered without the prior written authorization. All dimensions are in millimeters. The builder must check the content of the drawing and advise the designer in the case of any discrepancies prior to any construction. All modifications undertaken by the builder without written authorization from HYDR YACHT DESIGN are carried out under their responsibility. Payments are based on a license tool for the construction of 1 unit. No boats can be built without written attribution from HYDR YACHT DESIGN and the required license payments.

PROJECT TITLE

MONOTIPO 650

PROJECT Nº

H-119

DRAWING

PLANO VELICO

SCALE:

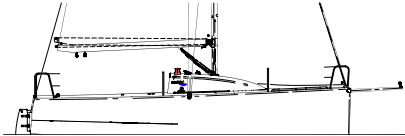
DWG Nº: H-119-002

DATE:

REVISION: A

| REV | DATE | MODIFICATIONS |
|-----|------|---------------|
| - | - | - |
| - | - | - |
| - | - | - |

COPYRIGHT by HYDR YACHT DESIGN. This drawing is the property of HYDR YACHT DESIGN. It should not be reproduced or used for any construction or shared with third parties without written authorisation. All dimensions are in millimetres. The builder should check the content of the drawing and advise the designer in the case of any discrepancies prior to any construction. All modifications undertaken by the builder without written confirmation from HYDR YACHT DESIGN are carried out under their responsibility. Payments are based on a licence both for the construction of 1 unit. No boats can be built without written authorisation from HYDR YACHT DESIGN and the required licence payments.



CARACTERISTICAS GENERALES

| | | |
|----------------------|-------|----------------|
| LOA: | 6,50 | m |
| LWL: | 6,22 | m |
| Biruta: | 2,55 | m |
| Desplazamiento: | 1,000 | Kg (lightship) |
| Calado: | 1,750 | m |
| Lastre: | 385 | Kg (lead) |
| Plano Velloo Ceñida: | 31,00 | m² |
| Mayar: | 17,5 | m² |
| Genova: | 13,5 | m² |
| Spinnaker: | 45,00 | m² |
| Gennaker: | 55,00 | m² |
| P: | 9,200 | m |
| E: | 3,090 | m |
| I: | 9,245 | m |
| J: | 2,610 | m |
| SPL: | 2,780 | m |
| Potencia motor: | 5 | Hp |

